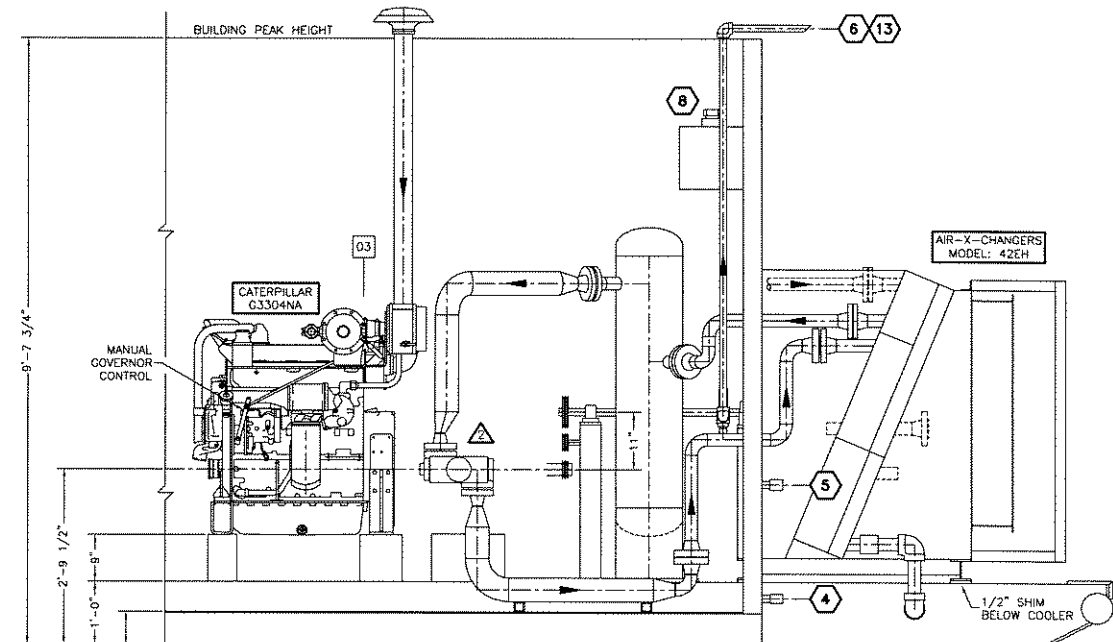
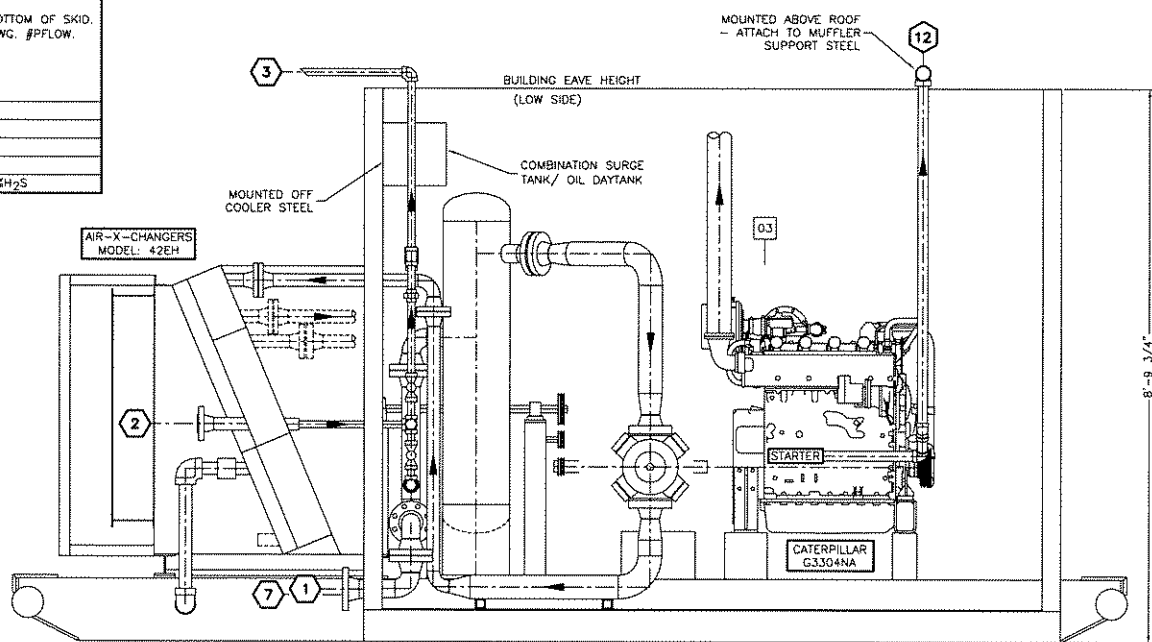


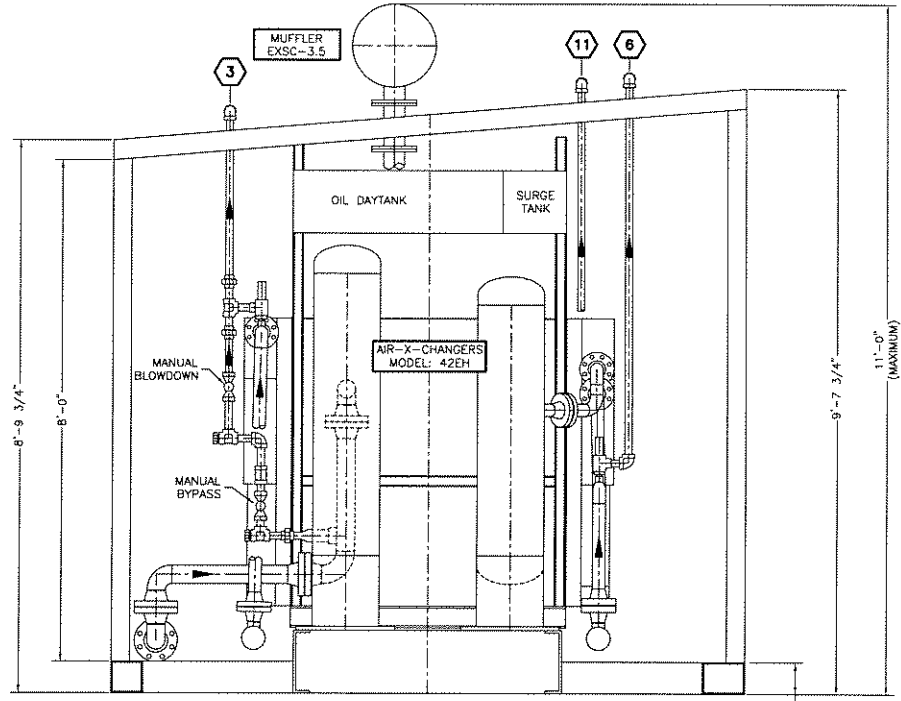
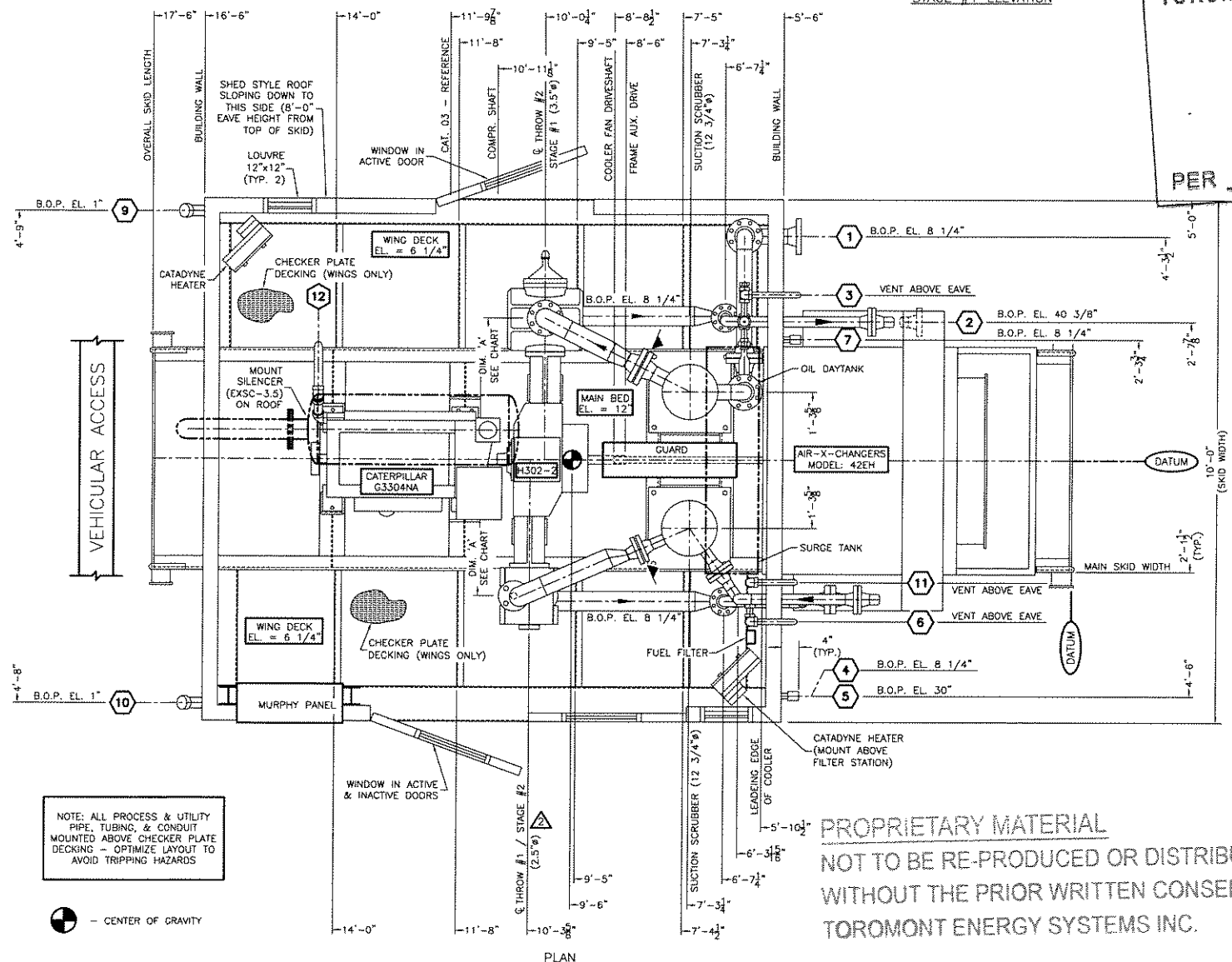
**GENERAL SPECIFICATIONS**

OVERALL PACKAGE LENGTH	17'-6"	NOTES: 1. ALL DIMENSIONS TAKEN FROM BOTTOM OF SKID. 2. ALL OTHER NOTES FOUND ON DWG. #PFLOW.
OVERALL PACKAGE SHIPPING WIDTH	10'-4"	
OVERALL PACKAGE HEIGHT	11'-0" (EST.)	
OVERALL PACKAGE WEIGHT	23,160 lbs	
GLYCOL STORAGE CAPACITY (U.S. GAL.)	22	
WASTE OIL STORAGE CAPACITY (U.S. GAL.)	30	
SOUR WASTE OIL STORAGE CAPACITY (U.S. GAL.)	N/A	
LUBE OIL DAY TANK	24 U.S. GAL.	CRANE RAILS U.S. GAL.
BRIDGE CRANE	YES NO	2-TON 3-TON 5-TON
SEAL PAN	YES NO	FLAT SLOPED
LOADING METHOD	JACK & ROLL LIVE ROLL	CRANE
PROCESS GAS	SWEET SOUR ACID GAS	PERCENT SOUR --H <sub>2</sub> S

CYL. SIZE	DIM. 'A'	DIM. 'B'	FLANGE
2 1/2"	31 1/4"	3 1/2"	1 1/2"-600#
2 1/2" HP	31 1/4"	4"	1 1/2"-1500#
3"	31 1/4"	3 1/2"	1 1/2"-600#
3" HP	31 1/4"	4"	1 1/2"-1500#
3 1/2"	32 9/16"	6"	3"-600#
4"	32 9/16"	6"	3"-600#
4 1/2"	32 9/16"	6"	3"-600#
5"	32 9/16"	6"	3"-600#
5 1/2"	32 9/16"	6"	3"-600#
6"	33 1/8"	8 5/8"	4"-300#
6 1/2"	33 1/8"	8 5/8"	4"-300#
7 1/2"	33 1/8"	8 5/8"	4"-300#
8"	33 1/8"	8 5/8"	4"-300#



**TOROMONT ENERGY SYSTEMS**  
**JUN 09 2005**  
**AS BUILT**  
 PER



- CUSTOMER CONNECTIONS**
- 1 INITIAL SUCTION 3"-300# RFWN
  - 2 FINAL DISCHARGE 2"-600# RFWN
  - 3 HIGH PRESSURE VENT HEADER 1"-PIPE (c/w BIRDSCREEN)
  - 4 SCRUBBER DRAIN 1"-3000# (NPT)
  - 5 FUEL GAS SUPPLY 1"-3000# (NPT)
  - 6 STAGE #2 PSV VENT 1"-PIPE (c/w BIRDSCREEN)
  - 7 START GAS SUPPLY 1"-3000# (NPT)
  - 8 ENG./CDMPR. OIL DAYTANK FILL 2"-3000# (NPT)
  - 9 GLYCOL STORAGE TANK PUMP/OUT 2"-3000# (NPT)
  - 10 WASTE OIL TANK PUMP/OUT 2"-3000# (NPT)
  - 11 LOW PRESSURE INSTRUMENT VENT 1"-PIPE (c/w BIRDSCREEN)
  - 12 LOW PRESSURE STARTER VENT 1 1/2"-PIPE (c/w BIRDSCREEN)
  - 13 - - -

1	AS BUILT, RENTED TO TRIFECTA	06/07/05	GG
0	ISSUED FOR CONSTRUCTION	10/29/04	GP
No.	REVISION	DATE	BY
PROPRIETARY MATERIAL: NOT TO BE REPRODUCED OR DISTRIBUTED WITHOUT THE PRIOR WRITTEN CONSENT OF TOROMONT ENERGY SYSTEMS INC.			
<b>TOROMONT</b>	<b>TOROMONT ENERGY SYSTEMS</b>	10121 - BARLOW TRAIL N.E. CALGARY ALBERTA CANADA	
TITLE: GENERAL ARRANGEMENT / ELEVATIONS CATERPILLAR G3304NA / GEMINI H302-2 AIR-X-CHANGERS 42EH		CUSTOMER: TRIFECTA RESOURCES CORP. MIKWAN GAS COMPRESSOR LSD: 08-28-38-23 W4M	
SCALE: 3/4"=1'-0"	DATE: 10/29/04	BY: GP	DATE RELEASED: 02/03/06
W.O. #	UNIT # 11558	DRAWING NO.: 11558-GA	REV. 2

**PROPRIETARY MATERIAL**  
 NOT TO BE RE-PRODUCED OR DISTRIBUTED  
 WITHOUT THE PRIOR WRITTEN CONSENT OF  
 TOROMONT ENERGY SYSTEMS INC.

NOTE: ALL PROCESS & UTILITY  
 PIPE, TUBING, & CONDUIT  
 MOUNTED ABOVE CHECKER PLATE  
 DECKING - OPTIMIZE LAYOUT TO  
 AVOID TRIPPING HAZARDS

○ - CENTER OF GRAVITY